

BaseScope™ Duplex Detection Reagent Kit

With FFPE Sample Preparation and Pretreatment

Document Number 323800-USM



For Research Use Only. Not for diagnostic use.

Trademarks

BaseScope, RNAscope, HybEZ, and EZ-Batch are trademarks or registered trademarks of Advanced Cell Diagnostics, Inc. All other trademarks belong to their respective owners.

Disclaimers

Advanced Cell Diagnostics, Inc. reserves the right to change its products and services at any time to incorporate technological developments. This manual is subject to change without notice.

Although this manual has been prepared with every precaution to ensure accuracy, Advanced Cell Diagnostics, Inc. assumes no liability for any errors, omissions, or for any damages resulting from the use of this information.

Copyright

© 2019. Advanced Cell Diagnostics, Inc. All rights reserved.

Contents

Chapter 1. Product Information	5
About this guide.....	5
Product description	5
Background.....	5
Overview	5
Kit contents and storage.....	6
BaseScope™ Duplex Probes	6
BaseScope™ Duplex Detection Reagent Kit	7
Required materials and equipment.....	8
HybEZ™ Hybridization System	8
User-supplied materials.....	9
 Chapter 2. Before You Begin	 10
Important procedural guidelines	10
 Chapter 3. Prepare and Pretreat Samples	 11
Prepare FFPE sections	11
Materials required	11
Fix the sample	11
Dehydrate, embed, and cut the sample	11
Prepare FFPE slides for the BaseScope™ Duplex Assay.....	12
Workflow.....	12
Materials required	13
Bake slides	13
Deparaffinize FFPE sections	13
Pretreat samples	14
Workflow.....	14
Materials required	15
Equilibrate equipment	15
Prepare 1X RNAscope® Target Retrieval Reagents.....	15
Apply RNAscope® Hydrogen Peroxide	15
Perform target retrieval	15
Create a barrier	16
Load the slides in the RNAscope® EZ-Batch™ Slide Holder.....	17
Apply RNAscope® Protease III or IV	18
 Chapter 4. BaseScope™ Duplex Assay	 19
Workflow	19
Materials required for the assay	21
Prepare the materials.....	21
Prepare 1X Wash Buffer	21
Prepare counterstaining reagents.....	21
Prepare probes.....	22
Equilibrate reagents.....	22

Run the assay.....	22
Hybridize probe	22
Hybridize BaseScope™ Duplex AMP 1	22
Hybridize BaseScope™ Duplex AMP 2.....	23
Hybridize BaseScope™ Duplex AMP 3.....	23
Hybridize BaseScope™ Duplex AMP 4.....	23
Hybridize BaseScope™ Duplex AMP 5.....	23
Hybridize BaseScope™ Duplex AMP 6.....	24
Hybridize BaseScope™ Duplex AMP 7.....	24
Hybridize BaseScope™ Duplex AMP 8.....	24
Detect the Red signal.....	24
Hybridize BaseScope™ Duplex AMP 9.....	25
Hybridize BaseScope™ Duplex AMP 10.....	25
Hybridize BaseScope™ Duplex AMP 11.....	25
Hybridize BaseScope™ Duplex AMP 12.....	25
Detect the Green signal.....	26
Counterstain the slides	26
Mount the samples.....	26
Evaluate the samples	26
Scoring guidelines.....	27
Troubleshooting.....	27
Appendix A. Tissue Pretreatment Recommendation	28
Tissue pretreatment recommendation	28
Tissue-specific pretreatment conditions	28
Appendix B. Manual Target Retrieval	30
Materials required.....	30
Prepare 1X RNAscope® Target Retrieval Reagents.....	30
Apply RNAscope® Target Retrieval Reagents	30
Appendix C. Reagent Volume Guidelines.....	31
Determine reagent volume	31
Appendix D. Safety	32
Chemical safety.....	32
In the U.S.:.....	32
In the EU:.....	33
Documentation and Support	34
Obtaining SDSs	34
Obtaining support.....	34
Contact information.....	34
Limited product warranty	34

1

Chapter 1. Product Information



Before using this product, read and understand the safety information in **Appendix D. Safety** on page 32.

IMPORTANT! We recommend reading the entire user manual before beginning any protocols.

About this guide

This user manual provides guidelines and protocols to use the BaseScope™ Duplex Detection Reagent Kit (Cat. No. 323800) on properly prepared formalin-fixed, paraffin-embedded (FFPE) tissues mounted on slides. BaseScope™ Duplex Assays are also compatible with frozen tissue samples.

Product description

Background

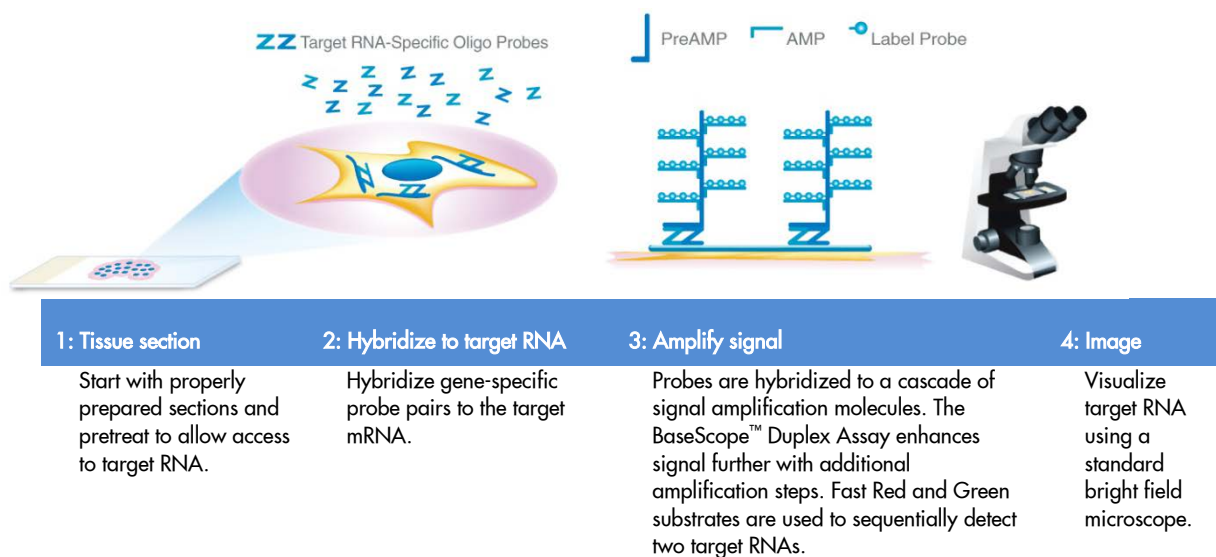
The BaseScope™ Assays use a novel and proprietary method of *in situ* hybridization (ISH) to visualize single RNA molecules for splice variants and short targets in samples mounted on slides. BaseScope™ Duplex Assays do not require the RNA-free environment used for traditional ISH. The assays are based on ACD's patented signal amplification and background suppression technology. The BaseScope™ Assay incorporates an additional signal amplification step when compared to the RNAscope® Assay, which allows the detection of RNA splicing variants, point mutations, small insertions or deletions, and short RNA targets (50–300 nucleotides). While the BaseScope™ Assay detects only a single target in one experiment, the BaseScope™ Duplex Assay makes it possible to detect two RNA targets simultaneously.

Overview

Figure 1 on page 7 illustrates the BaseScope™ Duplex Assay procedure. The procedure can be completed in about eight hours or conveniently divided over two days. Most of the BaseScope™ Duplex Assay reagents are available in convenient Ready-To-Use (RTU) dropper bottles and provide a simple, nearly pipette-free workflow.

Start with properly prepared samples, pretreat them, and then hybridize RNA-specific probes to target RNA. Amplify the signal using multiple steps, followed by detection using red and green chromogenic substrates. Each single RNA transcript appears as a distinct dot of chromogen precipitate visible using a common bright field microscope at 40–100X magnification.

Figure 1. Procedure overview



Kit contents and storage

The BaseScope™ Duplex Assay requires the BaseScope™ Duplex Probes and the BaseScope™ Duplex Detection Reagent Kit. Probes and reagent kits are available separately.

IMPORTANT! BaseScope™ Duplex Probes must be used with the BaseScope™ Duplex Detection Reagent Kit. RNAscope® probes are incompatible with the BaseScope™ Duplex Detection Reagent Kit.

BaseScope™ Duplex Probes

The BaseScope™ Duplex Probes consist of the user-specified Target Probe and the Positive and Negative Control Probes. Visit <https://acdbio.com/products> to find a gene-specific Target Probe or appropriate control probes. Each Target Probe contains a mixture of short oligonucleotides designed to bind to a specific target RNA and detectable in one of two color channels, C1 or C2.

Note: 1X Wash Buffer may be prepared ahead of time and stored at room temperature for up to one month.

Probe Channel ID	Chromogenic Labels	
	Enzyme	Color
C1*	HRP	GREEN
C2	AP	RED

* Default channel

Channel C1 target probes are Ready-To-Use (RTU), while channel C2 probes are shipped as a 50X concentrated stock. To independently detect two target RNAs in a duplex assay, each target probe must be in a different channel, and there must be a C1 probe in the mixture. If you wish to only use a single C2 probe, dilute the probe with the BaseScope™ Probe diluent (Cat. No. 700011).

Each bottle contains enough probe to stain ~20 sections, each with an area of approximately 20 mm x 20 mm (0.75" x 0.75"). Larger tissue sections will result in fewer tests. The probes have a shelf life of two years from the manufacturing date when stored as indicated in the following tables:

Target Probes					
<input checked="" type="checkbox"/>	Reagent	Cat. No.	Content	Quantity	Storage
	BaseScope™ Duplex Target Probe – [species]–[gene]–C1	Various	Probe targeting specific RNA	3 mL x 1 bottle	2–8°C
	BaseScope™ Duplex Target Probe – [species]–[gene]–C2	Various	50X probe for color channel 2	60 µL x 1 tube	2–8 °C
Control Probes					
<input checked="" type="checkbox"/>	Reagent	Cat. No.	Content	Quantity	Storage
	BaseScope™ Duplex Positive Control Probe-Human [Hs]-C1-Hs-PPIB-1ZZ/C2-POLR2A-1ZZ	700101	Probe targeting common housekeeping genes	3 mL x 1 bottle	2–8°C
	BaseScope™ Duplex Positive Control Probe-Mouse (Mm)-C1-Ppib-3ZZ/C2-Polr2a-1ZZ	700121	Probe targeting common housekeeping gene	3 mL x 1 bottle	2–8°C
	BaseScope™ Duplex Positive Control Probe-Human (Hs)-C1-PPIB-3ZZ/C2-POLR2A-3ZZ	700111	Probe targeting common housekeeping gene	3 mL x 1 bottle	2–8°C
	BaseScope™ Duplex Positive Control Probe-Mouse (Mm)-C1-Ppib-3ZZ/C2-Polr2a-3ZZ	700131	Probe targeting common housekeeping gene	3 mL x 1 bottle	2–8°C
Control Probes					
<input checked="" type="checkbox"/>	Reagent	Cat. No.	Content	Quantity	Storage
	BaseScope™ Duplex Negative Control Probe-C1-DapB-1ZZ/C2-DapB-1ZZ	700141	Probe targeting bacterial gene dapB	3 mL x 1 bottle	2–8°C
	BaseScope™ Duplex Negative Control Probe-C1-DapB-3ZZ/C2-DapB-3ZZ	700151	Probe targeting bacterial gene dapB	3 mL x 1 bottle	2–8°C

IMPORTANT! When running the BaseScope™ Duplex assay, ensure that your control probes contain the same number of ZZ pairs as your target probe. Consult support at support.acd@bio-techne.com.

BaseScope™ Duplex Detection Reagent Kit

Each BaseScope™ Duplex Detection Reagent Kit (Cat. No. 323810) provides enough reagents to stain ~20 tissue sections, each with an area of approximately 20 mm x 20 mm (0.75" x 0.75"). Larger tissue sections will result in fewer tests. Each kit contains the following components: Pretreatment Reagents, Target Retrieval Reagents, Wash Buffer Reagents, and Detection Reagents.

The reagents have a shelf life of nine months from the manufacturing date when stored as indicated in the following tables:

Pretreatment Reagents (Cat. No. 322381 and 322000)			
<input checked="" type="checkbox"/>	Reagent	Quantity	Storage
	RNAscope® Hydrogen Peroxide	4 mL x 2 bottles	2–8°C
	RNAscope® Protease III	4.5 mL x 2 bottles	2–8°C
	RNAscope® Protease Plus	4.5 mL x 2 bottles	2–8°C
	RNAscope® Protease IV	4.5 mL x 2 bottles	2–8°C
	RNAscope® 10X Target Retrieval	70 mL x 4 bottles	Room temp (15–30°C)
BaseScope™ Duplex Detection Reagents (Cat. No. 323810)			
<input checked="" type="checkbox"/>	Reagent	Quantity	Storage
	BaseScope™ Duplex AMP 1	3 mL x 1 bottle	2–8°C
	BaseScope™ Duplex AMP 2	3 mL x 1 bottle	2–8°C

	BaseScope™ Duplex AMP 3	4.5 mL x 1 bottle	2–8°C
	BaseScope™ Duplex AMP 4	3 mL x 1 bottle	2–8°C
	BaseScope™ Duplex AMP 5	3 mL x 1 bottle	2–8°C
	BaseScope™ Duplex AMP 6	4.5 mL x 1 bottle	2–8°C
	BaseScope™ Duplex AMP 7	4.5 mL x 1 bottle	2–8°C
	BaseScope™ Duplex AMP 8	3 mL x 1 bottle	2–8°C
	BaseScope™ Duplex AMP 9	4.5 mL x 1 bottle	2–8°C
	BaseScope™ Duplex AMP 10	4.5 mL x 1 bottle	2–8°C
	BaseScope™ Duplex AMP 11	4.5 mL x 1 bottle	2–8°C
	BaseScope™ Duplex AMP 12	3 mL x 1 bottle	2–8°C
	BaseScope™ Fast Red-A	3 mL x 1 bottle	2–8°C
	BaseScope™ Fast Red-B	50 µL x 1 vial	2–8°C
	BaseScope™ Green-A	3 mL x 1 bottle	2–8°C
	BaseScope™ Green-B	150 µL x 1 vial	2–8°C
RNAscope® Wash Buffer Reagents (Cat. No. 310091)			
<input checked="" type="checkbox"/>	Reagent	Quantity	Storage
	RNAscope® 50X Wash Buffer	60 mL x 4 bottles	Room temp (15–30°C)

IMPORTANT! BaseScope™, BaseScope™ Duplex, and RNAscope® kits share some of the same reagents including Hydrogen Peroxide, Target Retrieval, Protease, and Wash Buffer. Only these reagents may be interchanged among kits. Do not interchange other reagents.

Required materials and equipment

The following materials and equipment are needed to perform the BaseScope™ Duplex Assay.

HybEZ™ Hybridization System

IMPORTANT! The BaseScope™ Duplex Assay has been verified using this system only.

Use the HybEZ™ Hybridization System to perform BaseScope™ Duplex Assay hybridization and incubation steps. These steps require humid conditions to prevent sections from drying out.

For instructions on how to use the HybEZ™ Hybridization System, refer to the *HybEZ™ Hybridization System User Manual* available at <https://acdbio.com/documents/support-documents> and view the training video at <https://acdbio.com/technical-support/learn-more>. The system contains the following components:

<input checked="" type="checkbox"/>	Component	Quantity	Cat. No.
	HybEZ™ II Hybridization System (110 or 220V)	1 oven	321711 or 321721 (HybEZ™ II)
	HybEZ™ Humidity Control Tray (with lid)	1 tray	310012
	RNAscope® EZ-Batch™ Slide Holder (20 slide capacity)	1 rack	321716
	RNAscope® EZ-Batch™ Wash Tray	1 tray	321717
	HybEZ™ Humidifying Paper	2 sheets	—

Note: To order HybEZ™ Humidifying Paper Pack, 15 sheets, use Cat. No. 310015.

User-supplied materials

IMPORTANT! Do not substitute other materials for the VectaMount listed in the following table.

<input checked="" type="checkbox"/>	Description	Supplier	Cat. No.
	ImmEdge™ Hydrophobic Barrier Pen (required)	Vector Laboratory	H-4000
	SuperFrost® Plus Slides (required)	Fisher Scientific	12-550-15
	10% neutral-buffered formalin (NBF)	MLS*	—
	Paraffin wax	MLS	—
	Microtome	MLS	—
	Gill's Hematoxylin I	American Master Tech Scientific/MLS*	HXGHE1LT
	Xylene	Fisher Scientific/MLS	X3P-1GAL
	Tissue-Tek® Vertical 24 Slide Racks	American Master Tech Scientific/MLS	LWS2124
	Tissue-Tek® Staining Dishes	American Master Tech Scientific/MLS	LWS20WH
	Tissue-Tek® Clearing Agent Dishes, xylene resistant	American Master Tech Scientific/MLS	LWS20GR
	100% alcohol (EtOH)	MLS	—
	VectaMount Permanent Mounting Medium (required)	Vector Labs	H-5000
	Cover Glass, 24 x 50 mm	Fisher Scientific/MLS	12--545-F
	Ammonium hydroxide, 28–30%	Sigma-Aldrich/MLS	320145-500mL
	5X SSC (Optional)	MLS	—
	Carboy (>3L)	MLS	—
	Oster® Steamer Model 5712, Black and Decker Steamer HS3000, the Braun Multiquick FS 20 Steamer, or the Hamilton Beach Steamer	—	—
	Aluminum foil (Optional)†	MLS	—
	Forceps, large (Optional)†	MLS	—
	Hot plate (Optional)†	MLS	—
	Glass beaker 1 or 2 L (Optional)†	MLS	—
	Digital thermometer	MLS	—
	Water bath or incubator, capable of holding temperature at 40 +/- 1°C	MLS	—
	Pipettors and tips, 1–1000 µL	MLS	—
	Distilled water	MLS	—
	Tubes (various sizes)	MLS	—
	Fume hood	MLS	—
	Graduated cylinder	MLS	—
	Parafilm	MLS	—
	Paper towel or absorbent paper	MLS	—
	Microcentrifuge	MLS	—
	Microscope and accessories	MLS	—
	Drying oven, capable of holding temperature at 60 +/- 1°C	MLS	—

* Major Laboratory Supplier in North America. For other regions, please check catalog numbers with your local lab supplier.

† Required for the alternate target retrieval method in **Appendix B** on page 30.

2

Chapter 2. Before You Begin

Prior to running the BaseScope™ Duplex Assay on your samples for the first time, we recommend that you:

- View the video demonstrations available at <https://acdbio.com/technical-support/learn-more>.
- Run the assay on FFPE Control Slides (Cat. No. 310023) for Human control slide, HeLa; Catalog No. 310045 for Mouse control slide, 3T3) using positive and negative control probes (see the following information).
- Use the BaseScope™ Duplex Control Probes Pack (Human Cat. No. 322981; Mouse Cat. No. 322982) to perform the assay on your control slides.

Note: When running the BaseScope™ Duplex assay, ensure that your control probes contain the same number of ZZ pairs as your target probe. Consult support at support.acd@bio-technne.com.

Important procedural guidelines

- Start with properly fixed and prepared sections. Refer to **Appendix A.Tissue Pretreatment Recommendation** on page 28 and to our sample preparation and pretreatment user guides available at <https://acdbio.com/technical-support/user-manuals>.
- Use only samples mounted on SuperFrost Plus® Slides (Fisher Scientific, Cat. No. 12-550-15).
- Follow the recommended pretreatment guidelines for your sample. Refer to our sample preparation and pretreatment user guides available at <https://acdbio.com/technical-support/user-manuals>.
- Always run positive and negative control probes on your sample to assess sample RNA quality and optimal permeabilization.
- Do *not* substitute required materials. Assay has been validated with these materials only.
- Follow the protocol exactly for best results.
- Do not let your sections dry out during the procedure unless mentioned otherwise.
- Use good laboratory practices and follow all necessary safety procedures. Refer to **Appendix D. Safety** on page 32 for more information.

3

Chapter 3. Prepare and Pretreat Samples

The following protocols describe formalin-fixed, paraffin-embedded (FFPE) sample preparation and pretreatment. For other sample types and preparation methods, contact support.acd@bio-technne.com for the latest protocols and guidelines.

IMPORTANT! We highly recommend following these guidelines. We cannot guarantee assay results with other preparation methods.

For suboptimally treated samples, you may need to optimize pretreatment conditions. Refer to **Appendix A. Tissue Pretreatment Recommendation** on page 28 and to <https://acdbio.com/technical-support/solutions>.

Prepare FFPE sections

Materials required

-
- 10% neutral buffered formalin (NBF)
 - 1X PBS
 - Paraffin wax
 - Tissue-Tek® Clearing Agent Dishes
 - Tissue-Tek® Staining Dishes
 - 100% alcohol (EtOH)
 - Xylene
 - Microtome
 - Water bath
 - SuperFrost® Plus slides
-

Fix the sample

1. Immediately following dissection, fix tissue in 10% NBF for **16–32 HRS** at **ROOM TEMPERATURE (RT)**. Fixation time will vary depending on tissue type and size.



CAUTION! Handle biological specimens appropriately.

IMPORTANT! Fixation for **<16 HRS** or **>32 HRS** will impair the performance of the BaseScope™ Duplex Assay.

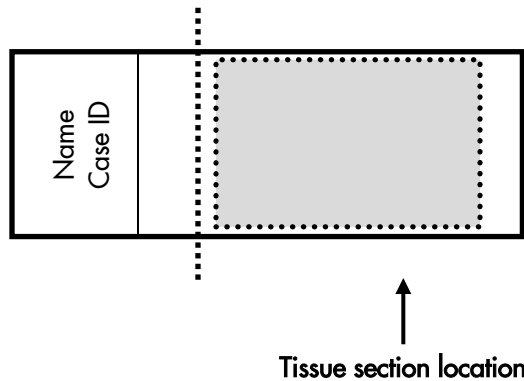
Dehydrate, embed, and cut the sample

IMPORTANT! Use fresh reagents.

1. Wash the sample with 1X PBS.
2. Dehydrate sample using a standard ethanol series, followed by xylene.
3. Embed sample in paraffin using standard procedures.

Note: Embedded samples may be stored at room temperature with desiccants. To better preserve RNA quality over a long period (>1 yr), we recommend storing at 2–8°C with desiccants.

- Trim paraffin blocks as needed, and cut embedded tissue into 5 +/- 1 µm sections using a microtome.
- Place paraffin ribbon in a **40–45°C** water bath, and mount sections on **SUPERFROST® PLUS SLIDES**. Place tissue as shown for optimal staining:



IMPORTANT! Do not mount more than one section per slide. Place sections in the center of the slide.

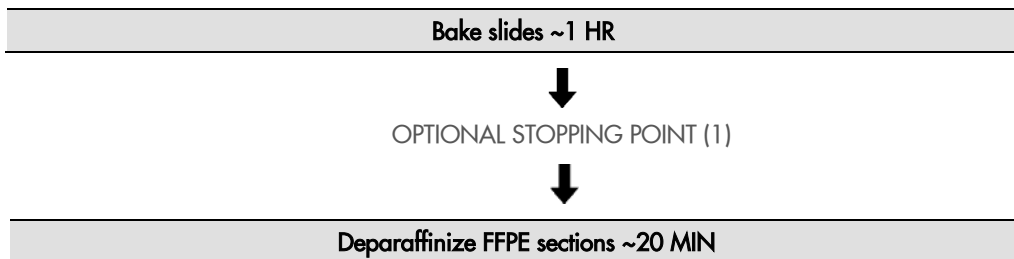
- Air dry slides **OVERNIGHT** at **RT**.

Note: You can store sections with desiccants at room temperature. Use sectioned tissue within three months.

Prepare FFPE slides for the BaseScope™ Duplex Assay

IMPORTANT! For the bake step, you can use the bake mode on the HybEZ™ II Oven. Do not use the HybEZ™ Oven to bake slides.

Workflow



Materials required

- Drying oven
 - Prepared FFPE slides
 - Tissue-Tek® Vertical 24 Slide Rack
 - Distilled water
 - Fume hood
 - Xylene
 - 100% alcohol (EtOH)
 - Tissue-Tek® Clearing Agent Dishes
 - Tissue-Tek® Staining Dishes
-

Bake slides

1. Bake the slides in a dry oven for **1 HR** at **60°C**.

OPTIONAL STOPPING POINT (1) Use immediately or store at **RT** with desiccants for ≤ 1 week. Prolonged storage may degrade sample RNA.

Note: If you continue with the procedure, you can prepare materials for the next steps while the slides are baking.

Deparaffinize FFPE sections

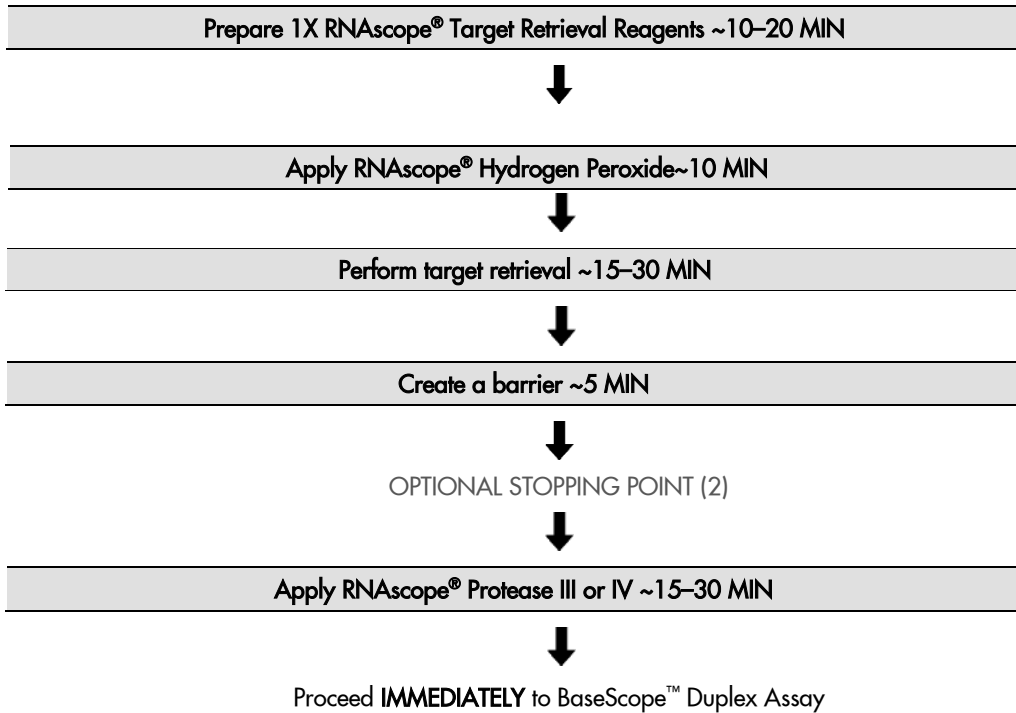
Reagents may be prepared ahead of time. Ensure that all containers remain covered.

1. In a fume hood:
 - Fill two Tissue-Tek® Clearing Agent dishes with ~at least 200 mL fresh xylene.
 - Fill two Tissue-Tek® Staining dishes with ~at least 200 mL fresh 100% alcohol.
2. Place slides in a Tissue-Tek® Slide Rack and submerge in the first xylene-containing dish in the fume hood.
3. Incubate the slides in xylene for **5 MIN** at **RT**. Agitate the slides by occasionally lifting the slide rack up and down in the dish.
4. Remove the slide rack from the first xylene-containing dish and *immediately* place in the second xylene-containing dish in the fume hood.
5. Incubate the slides in xylene for **5 MIN** at **RT** with agitation.
6. Remove the slide rack from the second xylene-containing dish and *immediately* place in a dish containing 100% alcohol.
7. Incubate the slides in 100% alcohol for **2 MIN** at **RT** with agitation.
8. Remove the slide rack from the first alcohol-containing dish and *immediately* place in the second alcohol-containing dish.
9. Incubate the slides in 100% alcohol for **2 MIN** at **RT** with agitation.
10. Remove the slides from the rack, and place on absorbent paper with the section face-up. Dry the slides in a drying oven for **5 MIN** at **60°C** (or until completely dry).

Pretreat samples

IMPORTANT! Before you begin, make sure you know the pretreatment conditions specific to your sample type from **Appendix A. Tissue Pretreatment Recommendation** on page 28.

Workflow



Materials required

Materials provided by the Universal Pretreatment Kit	Other Materials and Equipment
<ul style="list-style-type: none"> • RNAscope® Hydrogen Peroxide • RNAscope® Protease III or IV • RNAscope® 10X Target Retrieval Reagents 	<ul style="list-style-type: none"> • Prepared slides • Distilled water • HybEZ™ Humidifying System/ RNAscope® EZ-Batch™ Slide Holder and Tray • Paper towel or absorbent paper • Steamer • Digital thermometer • Tissue Tek® Slide Rack • Tissue Tek® Staining Dishes • ImmEdge™ Hydrophobic Barrier Pen

Equilibrate equipment

1. Turn on the HybEZ™ Oven, and set the temperature to **40°C**.
2. Place a Humidifying Paper in the Humidity Control Tray and wet completely with distilled water.
3. Insert the covered tray into the oven, and close the oven door. Warm the tray for **30 MIN** at **40°C** before use. Keep the tray in the oven when not in use.

Prepare 1X RNAscope® Target Retrieval Reagents

- Prepare at least 200 mL of fresh RNAscope® 1X Target Retrieval Reagents by adding 180 mL distilled water to 20 mL of 10X Target Retrieval Reagents. Mix well.

Apply RNAscope® Hydrogen Peroxide

1. Lay deparaffinized slides on the bench, and add ~5–8 drops of RNAscope® Hydrogen Peroxide to cover each section.
2. Incubate the slides for **10 MIN** at **RT**.
3. Remove RNAscope® Hydrogen Peroxide solution from one slide at a time by tapping and/or flicking the slide on absorbent paper. Immediately insert the slide into a Tissue-Tek® Slide Rack submerged in a Tissue-Tek® Staining Dish filled with distilled water.
4. Wash the slides 3–5 times by moving the Tissue-Tek® Slide Rack up and down in the distilled water.
5. Repeat Step 4 with fresh distilled water.

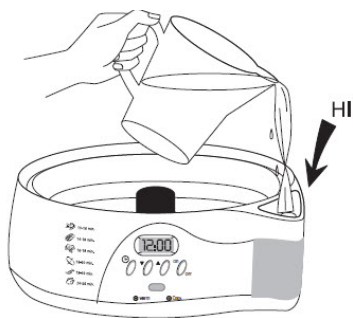
Perform target retrieval using the Steamer

We highly recommend using an Oster® or Hamilton Steamer for target retrieval. For an alternate method, see **Appendix B. Manual Target Retrieval** on page 30.

Note: You may also steam with the Braun Multiquick FS 20 Steamer or Hamilton Beach Digital Food Steamer - 5.5 Quart. For each steamer, fill the water to the maximum level before starting, and do not refill water during the steaming process.

1. Fill the water reservoir with cold tap water to the "HI" marking line.

IMPORTANT! Do not overfill.

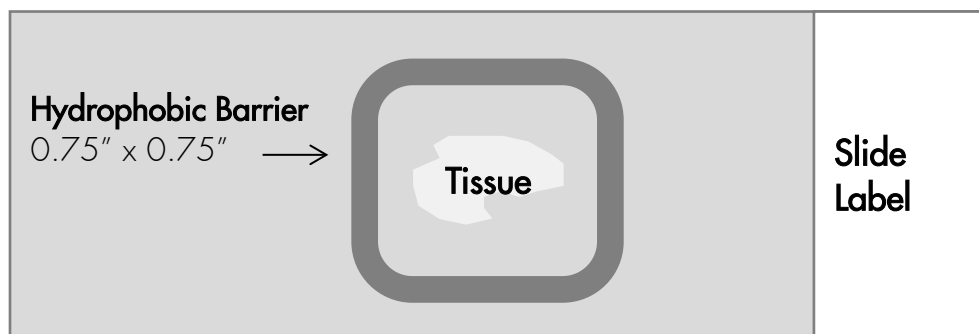


2. Place a clear Steaming Bowl onto the base.
3. Place two Tissue-Tek® staining dishes in the steam bowl. Fill one dish with at least 200 mL of RNAscope® 1X Target Retrieval Reagent. Fill the other dish with at least 200 mL of distilled H₂O.
4. Turn on the steamer. Set the steamer timer by turning the black knob clockwise. Set the heating time to **95 MIN**.
5. Insert a digital thermometer through the holes of the lid and into the container containing RNAscope® 1X Target Retrieval Reagent. Allow the temperature to rise to at least **99°C**.
6. Add the slides to the container containing distilled H₂O for **10 SEC** to acclimate the slides.
7. Remove the slides and move them to the container containing RNAscope® 1X Target Retrieval Reagent. Cover the steamer with lid.
8. Start the timer for **15 MIN** for mild and standard conditions or **30 MIN** for extended pretreatment. For pretreatment times, consult **Appendix A. Tissue Pretreatment Recommendation** on page 28.
9. Remove the slides from steamer and transfer to a separate rinse container with at least 200 mL of distilled water. Allow the slides to rinse for **15 SEC**.
10. Transfer the slides to 100% alcohol for **3 MIN**.
11. Dry the slides in a **60°C** incubator for **5 MIN**.

Create a barrier

1. Use the following template to draw a barrier 2–4 times around each section with the ImmEdge™ hydrophobic barrier pen.

IMPORTANT! Do not let the barrier touch the tissue section. An ImmEdge™ hydrophobic barrier pen is highly recommended. An alternative type of pen may result in suboptimal results.



Note: We do not recommend drawing a smaller barrier and using less than the recommended volume amounts, even for smaller sections. Larger barriers will result in fewer tests per kit.

2. Let the barrier dry completely **~5 MIN** or **OVERNIGHT** at **RT**.

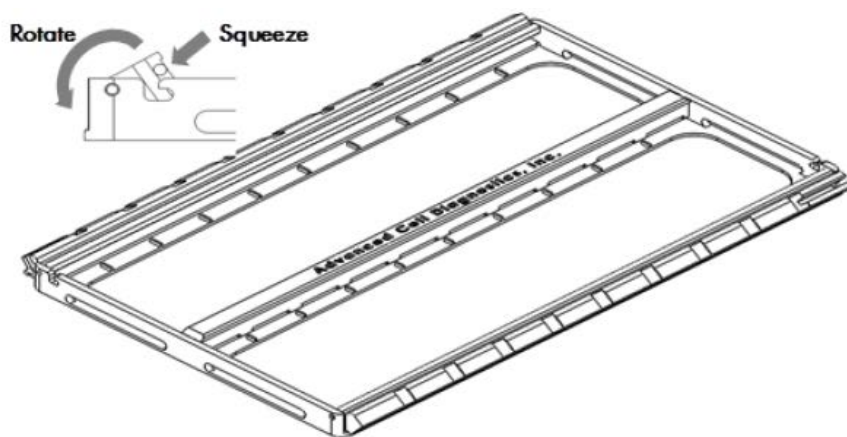
Note: If you need to reapply the hydrophobic barrier during the following procedures, dry the appropriate area of the slide with a kimwipe. Do not touch the tissue section.

OPTIONAL STOPPING POINT (2) Dry slides overnight for use the following day, or proceed directly to the next section.

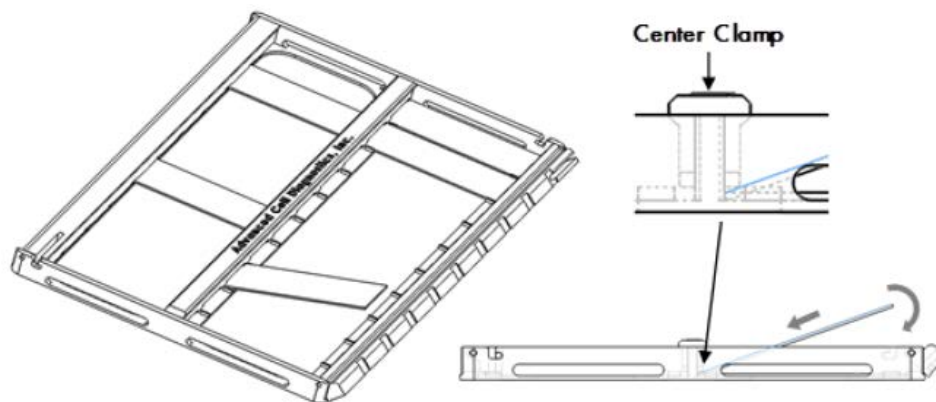
Load the slides in the RNAscope® EZ-Batch™ Slide Holder

The RNAscope® EZ-Batch™ Slide Holder can hold up to 20 standard glass slides in secure, lock-down positions arranged in two parallel columns. Lock-down is achieved by two lockable swing clamps, one per column, along both sides of the slide holder. Clamp locking mechanisms are located at the slots found at one end of each clamp.

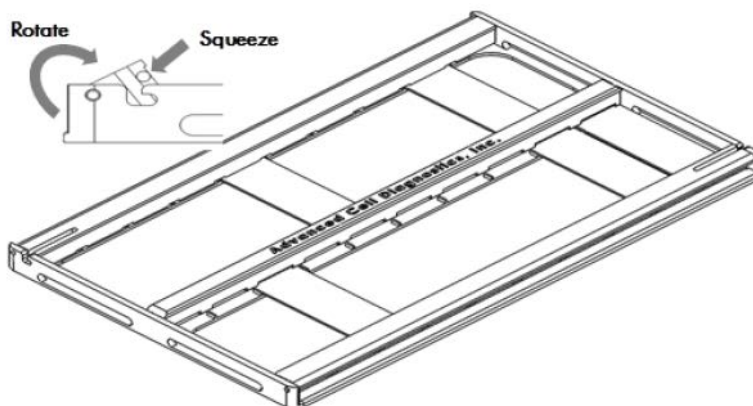
1. Open the swing clamps one at a time by simultaneously squeezing (pressing and holding) the slotted portion of each clamp and rotating it up then outwards.



2. Insert slides one at a time into the holder (up to 10 slides per column). The **non-label** end of each slide should be aligned toward the center of the holder and inserted under the fixed clamp. Place the rest of the slide down into the holder.



- Close and lock the swing clamp of the column by simultaneously squeezing the slotted portion of each clamp and rotating it in then downwards in the direction opposite to the direction used to open the clamp.



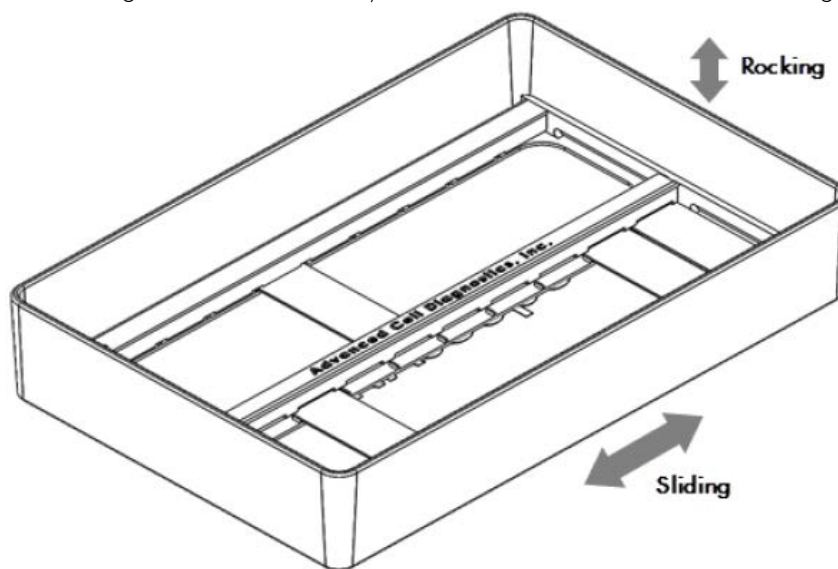
Apply RNAscope® Protease III or IV

Note: Use RNAscope® Protease III for cell pellets, under-fixed tissue samples, and mouse tissues. Use RNAscope® Protease IV for all human tissue samples.

- Add ~5 drops of RNAscope® Protease III or IV to entirely cover each section.
- Place the RNAscope® EZ-Batch™ Slide Holder in the pre-warmed HybEZ™ Humidity Control Tray. Close the lid, seal, and insert the tray back into the oven.
- Incubate at **40°C** for the amount of time specified by the table in **Appendix A. Tissue Pretreatment Recommendation** on page 28.

Note: If needed, prepare BaseScope™ DuplexAssay materials during this step.

- Pour at least 200 mL distilled water into the transparent RNAscope® EZ-Batch™ Wash Tray.
- Remove the HybEZ™ Humidity Control Tray from the oven. Remove the slide holder from the tray. Place the tray back into the oven.
- Place the RNAscope® EZ-Batch™ Slide Holder into the wash tray containing water. Make sure all the slides are submerged. If needed, carefully add more water. Wash the slides with slight agitation.



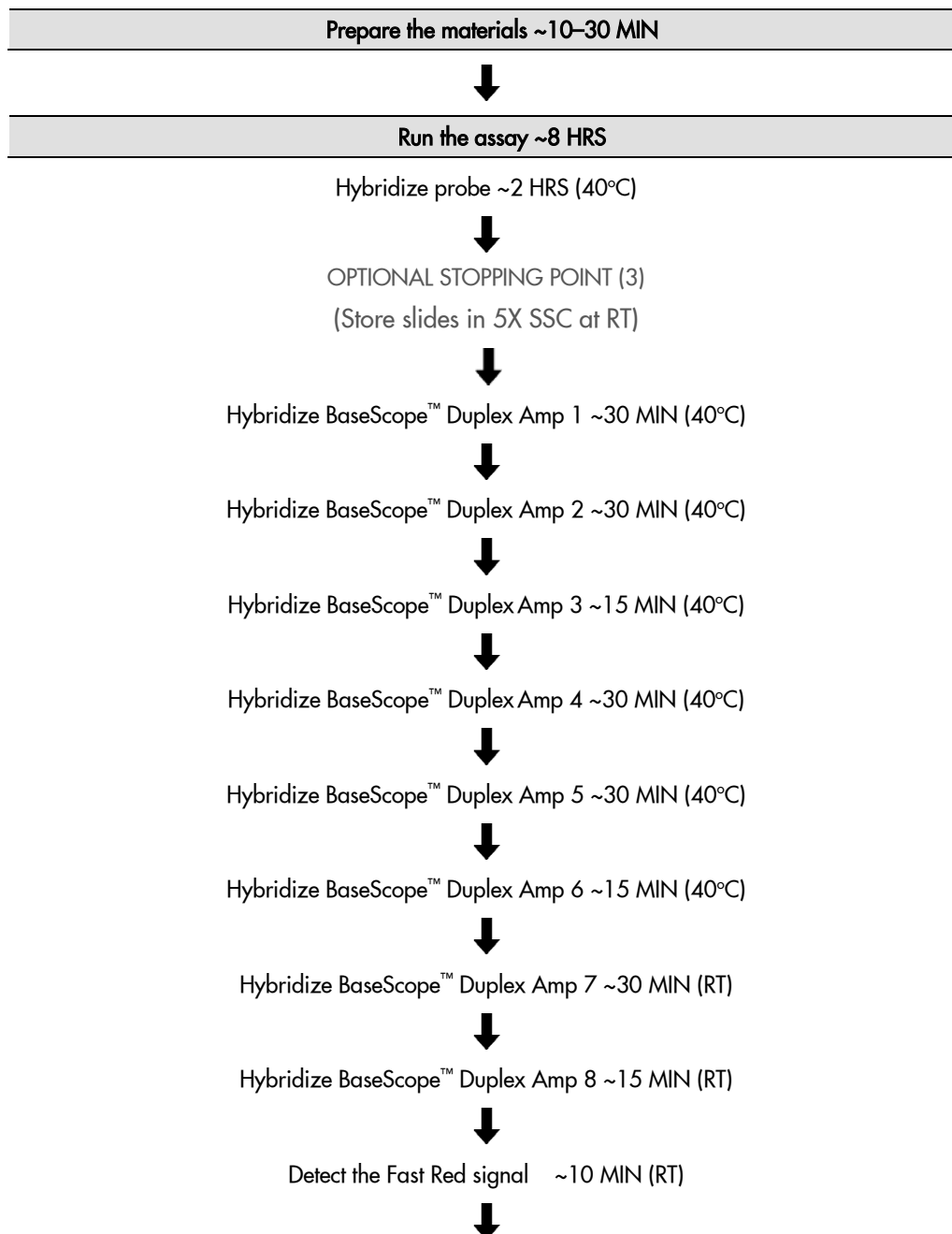
- Repeat the wash step with fresh distilled water.
- Proceed *immediately* to the next chapter.

4

Chapter 4. BaseScope™ Duplex Assay

This procedure flows directly from sample preparation and pretreatment. Refer to **Chapter 3. Prepare and Pretreat Samples** on page 11, or the appropriate sample preparation and pretreatment user manual for your specific sample type.

Workflow



Hybridize BaseScope™ Duplex Amp 9 ~15 MIN (40°C)



Hybridize BaseScope™ Duplex Amp 10 ~15 MIN (40°C)



Hybridize BaseScope™ Duplex Amp 11 ~30 MIN (RT)



Hybridize BaseScope™ Duplex Amp 12 ~15 MIN (RT)



Detect the Green signal ~10 MIN (RT)



Counterstain the slides ~2 MIN (RT)



Dry slides in a 60 °C oven ~15 MIN



Mount samples ~5 MIN



Evaluate the samples

Materials required for the assay

Materials provided by BaseScope™ Duplex Detection Reagent Kit – RED	Materials provided by BaseScope™ Duplex Probes	Other Materials and Equipment
<ul style="list-style-type: none"> • RNAscope® 50X Wash Buffer • BaseScope™ Duplex AMP 1 • BaseScope™ Duplex AMP 2 • BaseScope™ Duplex AMP 3 • BaseScope™ Duplex AMP 4 • BaseScope™ Duplex AMP 5 • BaseScope™ Duplex AMP 6 • BaseScope™ Duplex AMP 7 • BaseScope™ Duplex AMP 8 • BaseScope™ Duplex AMP 9 • BaseScope™ Duplex AMP 10 • BaseScope™ Duplex AMP 11 • BaseScope™ Duplex AMP 12 • BaseScope™ Duplex Fast Red-A • BaseScope™ Duplex Fast Red-B • BaseScope™ Duplex Green-A • BaseScope™ Duplex Green-B 	<ul style="list-style-type: none"> • Target Probe • Positive Control Probe • Negative Control Probe 	<ul style="list-style-type: none"> • Prepared sections • Distilled water • Carboy (>3L) • Fume hood • Xylene • Tissue-Tek® Staining Dishes • Tissue-Tek® Clearing Agent Dish, xylene-resistant • 5X SSC (Optional) • Gill's Hematoxylin • Ammonium hydroxide, 28–30% • Graduated cylinder • Parafilm • HybEZ™ Humidifying System/ RNAscope® EZ-Batch™ Slide Holder and Wash Tray • Water bath or incubator • Tissue-Tek® Vertical 24 Slide Rack • Tubes (various sizes) • Paper towel or absorbent paper • Pipettors and tips, 1–1000 µL • Dry oven • VectaMount • Cover Glass, 24 mm x 50 mm

Prepare the materials

You may prepare the reagents at the same time you prepare pretreatment reagents. See **Pretreat samples** on page 14.

Some of the materials may be prepared in advance and stored at room temperature.

Prepare 1X Wash Buffer

- Prepare 5 L of 1X Wash Buffer by adding 4.90 L distilled water and 100 mL of RNAscope™ Wash Buffer (50X) to a large carboy. Mix well.

Note: Warm RNAscope™ 50X Wash Buffer up to **40°C** for **10–20 MIN** before preparation. 1X Wash Buffer may be prepared ahead of time and stored at room temperature for up to one month.

Prepare counterstaining reagents

1. In the fume hood, prepare 50% Hematoxylin staining solution by adding 100 mL Gill's Hematoxylin I to 100 mL distilled water in a staining dish.

Note: 50% Hematoxylin staining solution can be reused for up to 1 week.

- In the fume hood, prepare 0.02% (w/v) Ammonia water (bluing reagent) by diluting the 28% Ammonium Hydroxide with distilled water in a graduated cylinder or other container.
- Seal the cylinder with parafilm. Mix well 3–5 times.

Note: For assay quantitation, you must use Ammonium Hydroxide.

Prepare probes

- Briefly spin the C2 probe to collect the liquid at the bottom of the tube.
- Mix 1:50 ratio of C2 probe (50X) to C1 probe (RTU) by pipetting 1 volume of C2 probe and 50 volumes of C1 probe into a tube. Invert the tube several times.

Note: Do not mix probes of the same color. The mixed Target Probes can be stored at **4°C** for up to six months.

Equilibrate reagents

- Remove AMP 1–12 reagents from the refrigerator and place at **RT**.
- Ensure that the HybEZ™ Oven and prepared Humidity Control Tray are at **40°C**.
- Before each use, equilibrate the probes for **10 MIN** at **40°C**.

Run the assay

IMPORTANT! Do *not* let sections dry out between incubation steps. Work *quickly* and fill barrier with solutions.

IMPORTANT! View the wash step video at <http://www.acdbio.com/technical-support/learn-more> before proceeding.

Hybridize probe

- Remove excess liquid from the slides while keeping the slides locked in the RNAscope® EZ-Batch™ Slide holder. Insert the slide holder into the HybEZ™ Humidity Control Tray.
- Add ~4 drops of the appropriate probe mix (prepared as described above) to entirely cover each slide.

Note: Refer to **Appendix C. Reagent Volume Guidelines** on page 31 to determine the recommended number of drops needed per slide. For example, add 4 drops of the appropriate probe to a 0.75" x 0.75" barrier.

- Close the tray and insert into the HybEZ™ Oven for **2 HRS** at **40°C**.

IMPORTANT! To prevent evaporation, make sure that the knob is completely turned to the lock position.

- Pour at least 200 mL 1X Wash Buffer into the transparent RNAscope® EZ-Batch™ Wash Tray.
- Remove the HybEZ™ Humidity Control Tray from the oven. Remove the slide holder from the tray. Place the tray back into the oven.
- Place the RNAscope® EZ-Batch™ Slide Holder into the wash tray (see page 18 for details), and wash the slides for **2 MIN** at **RT**. Repeat the wash step with fresh buffer.

OPTIONAL STOPPING POINT (3) You can store the slides overnight in 5X SSC at **RT**. Before continuing with the assay, wash the slides twice with 1X Wash Buffer.

Hybridize BaseScope™ Duplex AMP 1

- Remove excess liquid from the slides while keeping the slides locked in the RNAscope® EZ-Batch™ Slide holder. Insert the slide holder into the HybEZ™ Humidity Control Tray.
- Add ~4 drops of AMP 1 to entirely cover each slide.

3. Close the tray and insert into the HybEZ™ Oven for **30 MIN** at **40°C**.
4. Remove the HybEZ™ Humidity Control Tray from the oven. Remove the slide holder from the tray. Place the tray back into the oven.
5. Pour at least 200 mL 1X Wash Buffer into the transparent RNAscope® EZ-Batch™ Wash Tray.
6. Place the RNAscope® EZ-Batch™ Slide Holder into the wash tray (see page 18 for details), and wash the slides for **2 MIN** at **RT**. Repeat the wash step with fresh buffer.

Hybridize BaseScope™ Duplex AMP 2

1. Remove excess liquid from the slides while keeping them locked in the EZ-Batch™ Slide holder. Insert the slide holder into the HybEZ™ Humidity Control Tray.
2. Add ~4 drops of AMP 2 to entirely cover each section.
3. Close the tray and insert into the HybEZ™ Oven for **30 MIN** at **40°C**.
4. Remove the HybEZ™ Humidity Control Tray from the oven. Remove the slide holder from the tray. Place the tray back into the oven.
5. Pour at least 200 mL 1X Wash Buffer into the transparent RNAscope® EZ-Batch™ Wash Tray.
6. Place the RNAscope® EZ-Batch™ Slide Holder into the wash tray (see page 18 for details) and wash the slides for **2 MIN** at **RT**. Repeat the wash step with fresh buffer.

Hybridize BaseScope™ Duplex AMP 3

1. Remove excess liquid from the slides while keeping them locked in the EZ-Batch™ Slide holder. Insert the slide holder into the HybEZ™ Humidity Control Tray.
2. Add ~4 drops of AMP 3 to entirely cover each section.
3. Close the tray and insert into the HybEZ™ Oven for **15 MIN** at **40°C**.
4. Remove the HybEZ™ Humidity Control Tray from the oven. Remove the slide holder from the tray. Place the tray back into the oven.
5. Pour at least 200 mL 1X Wash Buffer into the transparent RNAscope® EZ-Batch™ Wash Tray.
6. Place the RNAscope® EZ-Batch™ Slide Holder into the wash tray (see page 18 for details), and wash the slides for **2 MIN** at **RT**. Repeat the wash step with fresh buffer.

Hybridize BaseScope™ Duplex AMP 4

1. Remove excess liquid from the slides while keeping them locked in the EZ-Batch™ Slide holder. Insert the slide holder into the HybEZ™ Humidity Control Tray.
2. Add ~4 drops of AMP 4 to entirely cover each section.
3. Close the tray and insert into the HybEZ™ Oven for **30 MIN** at **40°C**.
4. Remove the HybEZ™ Humidity Control Tray from the oven. Remove the slide holder from the tray. Place the tray back into the oven.
5. Pour at least 200 mL 1X Wash Buffer into the transparent RNAscope® EZ-Batch™ Wash Tray.
6. Place the RNAscope® EZ-Batch™ Slide Holder into the wash tray (see page 18 for details), and wash the slides for **2 MIN** at **RT**. Repeat the wash step with fresh buffer.

Hybridize BaseScope™ Duplex AMP 5

1. Remove excess liquid from the slides while keeping them locked in the EZ-Batch™ Slide holder. Insert the slide holder into the HybEZ™ Humidity Control Tray.
2. Add ~4 drops of AMP 5 to entirely cover each section.
3. Close the tray and insert into the HybEZ™ Oven for **30 MIN** at **40°C**.
4. Remove the HybEZ™ Humidity Control Tray from the oven. Remove the slide holder from the tray. Place the tray back into the oven.
5. Pour at least 200 mL 1X Wash Buffer into the transparent RNAscope® EZ-Batch™ Wash Tray.

- Place the RNAscope® EZ-Batch™ Slide Holder into the wash tray (see page 18 for details), and wash the slides for 2 MIN at RT. Repeat the wash step with fresh buffer.

Hybridize BaseScope™ Duplex AMP 6

- Remove excess liquid from the slides while keeping them locked in the EZ-Batch™ Slide holder. Insert the slide holder into the HybEZ™ Humidity Control Tray.
- Add ~4 drops of AMP 6 to entirely cover each section.
- Close the tray and insert into the HybEZ™ Oven for **15 MIN** at **40°C**.
- Remove the tray from the oven, and remove the slide holder.

IMPORTANT! Do not insert tray into the HybEZ™ Oven for the BaseScope™ Duplex AMP 7 and AMP 8 incubations.

- Pour at least 200 mL 1X Wash Buffer into the transparent RNAscope® EZ-Batch™ Wash Tray.
- Place the RNAscope® EZ-Batch™ Slide Holder into the wash tray (see page 18 for details), and wash the slides for **2 MIN** at **RT**. Repeat the wash step with fresh buffer.

Hybridize BaseScope™ Duplex AMP 7

- Remove excess liquid from the slides while keeping them locked in the EZ-Batch™ Slide holder. Insert the slide holder into the HybEZ™ Humidity Control Tray.
- Add ~4 drops of AMP 7 to entirely cover each section.
- Close the tray and incubate for **30 MIN** at **RT**.
- Pour at least 200 mL 1X Wash Buffer into the transparent RNAscope® EZ-Batch™ Wash Tray.
- Place the RNAscope® EZ-Batch™ Slide Holder into the wash tray (see page 18 for details), and wash the slides for **2 MIN** at **RT**. Repeat the wash step with fresh buffer.

IMPORTANT! The red staining intensity can be modified by adjusting the AMP 7 incubation time.

Hybridize BaseScope™ Duplex AMP 8

- Remove excess liquid from the slides while keeping them locked in the EZ-Batch™ Slide holder. Insert the slide holder into the HybEZ™ Humidity Control Tray.
- Add ~4 drops of AMP 8 to entirely cover each section.
- Close the tray and incubate for **15 MIN** at **RT**.
- Pour at least 200 mL 1X Wash Buffer into the transparent RNAscope® EZ-Batch™ Wash Tray.
- Place the RNAscope® EZ-Batch™ Slide Holder into the wash tray (see page 18 for details), and wash the slides for **2 MIN** at **RT**. Repeat the wash step with fresh buffer.

Detect the Red signal

- Briefly spin down the contents of the BaseScope™ Duplex Fast Red-B tube to be sure the contents are at the bottom of the tube before opening the cap.
- Depending on the size of your hydrophobic barrier, prepare sufficient Red working solution per section by using a 1:60 ratio of BaseScope™ Duplex Fast Red -B to BaseScope™ Duplex Fast Red -A. For example, for a 0.75" x 0.75" barrier, add 2 µL of Red -B to 120 µL of Red -A into a tube. Mix well.

IMPORTANT! Use the mixed Fast Red solution within **5 MIN**. Do not expose to direct sunlight or UV light.

- Remove excess liquid from the slides while keeping them locked in the EZ-Batch™ Slide holder. Insert the slide holder into the HybEZ™ Humidity Control Tray.
- Pipette ~120 µL Red solution onto each tissue section. Ensure that the sections are covered.
- Close the tray and incubate for **10 MIN** at **RT**.
- Pour at least 200 mL 1X Wash Buffer into the transparent RNAscope® EZ-Batch™ Wash Tray.

7. Place the RNAscope® EZ-Batch™ Slide Holder into the wash tray (see page 18 for details), and wash the slides for **2 MIN** at **RT**. Repeat the wash step with fresh buffer.

Hybridize BaseScope™ Duplex AMP 9

1. Remove excess liquid from the slides while keeping them locked in the EZ-Batch™ Slide holder. Insert the slide holder into the HybEZ™ Humidity Control Tray.
2. Add ~4 drops of AMP 9 to entirely cover each section.
3. Close the tray and insert into the HybEZ™ Oven for **15 MIN** at **40°C**.
4. Remove the HybEZ™ Humidity Control Tray from the oven. Remove the slide holder from the tray. Place the tray back into the oven.
5. Pour at least 200 mL 1X Wash Buffer into the transparent RNAscope® EZ-Batch™ Wash Tray.
6. Place the RNAscope® EZ-Batch™ Slide Holder into the wash tray (see page 18 for details), and wash the slides for **2 MIN** at **RT**. Repeat the wash step with fresh buffer.

Hybridize BaseScope™ Duplex AMP 10

1. Remove excess liquid from the slides while keeping them locked in the EZ-Batch™ Slide holder. Insert the slide holder into the HybEZ™ Humidity Control Tray.
2. Add ~4 drops of AMP 10 to entirely cover each section.
3. Close the tray and insert into the HybEZ™ Oven for **15 MIN** at **40°C**.
4. Remove the tray from the oven, and remove the slide holder.

IMPORTANT! Do not insert tray into the HybEZ™ Oven for the rest of the procedure.

5. Pour at least 200 mL 1X Wash Buffer into the transparent RNAscope® EZ-Batch™ Wash Tray.
6. Place the RNAscope® EZ-Batch™ Slide Holder into the wash tray (see page 18 for details), and wash the slides for **2 MIN** at **RT**. Repeat the wash step with fresh buffer.

Hybridize BaseScope™ Duplex AMP 11

1. Remove excess liquid from the slides while keeping them locked in the EZ-Batch™ Slide holder. Insert the slide holder into the HybEZ™ Humidity Control Tray.
2. Add ~4 drops of AMP 11 to entirely cover each section.
3. Close the tray and incubate for **30 MIN** at **RT**.
4. Pour at least 200 mL 1X Wash Buffer into the transparent RNAscope® EZ-Batch™ Wash Tray.
5. Place the RNAscope® EZ-Batch™ Slide Holder into the wash tray (see page 18 for details), and wash the slides for **2 MIN** at **RT**. Repeat the wash step with fresh buffer.

IMPORTANT! Green staining intensity can be modified by adjusting the AMP 11 incubation time.

Hybridize BaseScope™ Duplex AMP 12

1. Remove excess liquid from the slides while keeping them locked in the EZ-Batch™ Slide holder. Insert the slide holder into the HybEZ™ Humidity Control Tray.
2. Add ~4 drops of AMP 12 to entirely cover each section.
3. Close the tray and incubate for **15 MIN** at **RT**.
4. Pour at least 200 mL 1X Wash Buffer into the transparent RNAscope® EZ-Batch™ Wash Tray.
5. Place the RNAscope® EZ-Batch™ Slide Holder into the wash tray (see page 18 for details), and wash the slides for **2 MIN** at **RT**. Repeat the wash step with fresh buffer.

Detect the Green signal

1. Briefly spin down the contents of the BaseScope™ Duplex Green-B tube to be sure the contents are at the bottom of the tube before opening the cap.
2. Depending on the size of your hydrophobic barrier, prepare sufficient Green working solution per section by using a 1:50 ratio of BaseScope™ Duplex Green -B to BaseScope™ Duplex Green -A. For example, for a 0.75" x 0.75" barrier, add 2.4 µL of Green -B to 120 µL of Green -A into a tube. Mix well.

IMPORTANT! Use the mixed Green solution within **5 MIN**. Do not expose to direct sunlight or UV light.

3. Remove excess liquid from the slides while keeping them locked in the EZ-Batch™ Slide holder. Insert the slide holder into the HybEZ™ Humidity Control Tray.
4. Pipette ~120 µL GREEN solution onto each tissue section. Ensure that the sections are covered.
5. Close the tray and incubate for **10 MIN** at **RT**.
6. Pour at least 200 mL 1X Wash Buffer into the transparent RNAscope® EZ-Batch™ Wash Tray. Place the RNAscope® EZ-Batch™ Slide Holder into the wash tray (see page 18 for details), and wash the slides for **5 MIN** at **RT**.
7. Rinse the slides quickly in water to remove excess wash buffer.

Counterstain the slides

1. Place the slides into a Tissue-Tek® Slide Rack, then move the rack into the staining dish containing 50% Hematoxylin staining solution for **1 MIN** at **RT**. Slides turn purple.
2. *Immediately* transfer the slide rack back into the staining dish containing tap water, and wash the slides 3–5 times by moving the rack up and down. Keep repeating with fresh tap water until the slides are clear, while the sections remain purple.
3. Replace the tap water in the staining dish with 0.02% Ammonia water. Move the rack up and down 2–3 times. The sections should turn blue.
4. Replace the Ammonia water with tap water. Wash the slides 3–5 times.

Mount the samples

1. Remove the slide rack from the staining dish, and dry the slides in a **60°C** dry oven for at least **15 MIN** (until the slides are completely dry).

IMPORTANT! The RED and GREEN substrates are alcohol sensitive. Do not dehydrate the slides in alcohol.

2. Quickly dip the slides in **FRESH** Xylene and place 1–2 drops of VectaMount on a slide.
3. Carefully place a 24 mm x 50 mm coverslip over the tissue section. Avoid trapping air bubbles.
4. Repeat steps 2 and 3 for each slide.
5. Air dry the slides for **≥5 MIN**.

Evaluate the samples

Examine tissue sections under a standard bright field microscope at 20–40X magnification:

- Assess tissue and cell morphology.
- Assess positive control signal strength. Positive control signal should be visible as punctate dots within cells at 20–40X magnification.
- Assess negative control background. One dot to every 20 cells displaying background staining per 20X microscope field is acceptable.
- Evaluate target probe signal using the scoring guidelines in the next section.

Scoring guidelines

The BaseScope™ Duplex Assay enables a semi-quantitative scoring guideline utilizing the estimated number of punctate dots present within each cell boundary.

An example of how to develop such a guideline for semi-quantitative assessment of BaseScope™ Duplex staining intensity is presented below for a gene with expression level varying between 1 to > 10 copies per cell.

Note: If your gene expression level is higher or lower than this range, you may need to scale the criteria accordingly.

Categorize staining into five grades: **0**, **1+**, **2+**, **3+**, and **4+** according to the following table:

Staining Score	Microscope Objective Scoring*
0	No staining or less than 1 dot to every 20 cells (40X magnification)
1	1 dot/cell (visible at 20–40X magnification)
2	2–3 dots/cell.
3	4–10 dots/cell. Less than 10% positive cells have dot clusters (visible at 20X magnification)
4	>10 dots/cell. More than 10% positive cells have dot clusters (visible at 20X magnification)

* Discount cells with artificially high nuclear background staining.

Troubleshooting

For troubleshooting information, please contact technical support at support.acd@bio-technne.com.



Appendix A. Tissue Pretreatment Recommendation

Follow the recommended pretreatment conditions based on your tissue type for:

- Any new or previously untested FFPE tissue types
- Samples prepared differently than the sample preparation protocol found in Chapter 3.

Tissue pretreatment recommendation

1. Stain representative samples using the positive and negative control probes.
2. Fix sample in fresh 10% NBF for **16–32 HRS** at **RT**.

Note: Perform tissue fixation step using the recommended amount of time. Over or under-fixation will result in significant signal loss when performing the BaseScope™ Duplex Assay.

3. Depending on your tissue type, vary the amount of time for the BaseScope™ Duplex Target Retrieval Reagents and/or RNAscope® Protease IV (see the following section).

Reagent	Mild	Standard	Extended
RNAscope® Target Retrieval Reagents	15 MIN	15 MIN	15–30 MIN
RNAscope® Protease III/IV	15 MIN	30 MIN	30 MIN

Note: Some sample types, including certain xenografts and cell pellets, require less pretreatment time. For these tissue types, change the target retrieval time to **8 MIN** and use RNAscope® Protease III for **15 MIN**. For the ACD Cell Pellet sample, we recommend a **15 MIN** treatment with RNAscope® Target Retrieval Reagents and a **15 MIN** treatment with RNAscope® Protease III. If you have a tissue type not listed, contact support at support.acd@bio-techne.com.

Tissue-specific pretreatment conditions

If your sample fixation is successful in fresh 10% NBF (Step 2 above), then refer to the following table for tissue-specific pretreatment conditions. For information about species or tissue type not listed here, contact support at support.acd@bio-techne.com.

Species	Tissue Type	Pathology	Pretreatment Condition
Mouse/Rat	Intestine	Normal	Standard
	Intestine	Tumor	Standard
	Embryo	Normal	Standard
	Brain	Normal	Standard
	Spleen	Normal	Mild
	Eye/Retina	Normal	Standard/Mild
	Liver	Normal	Extended
	Kidney	Normal	Standard

Species	Tissue Type	Pathology	Pretreatment Condition
Human	Breast	Tumor	Standard
	Colon	Tumor	Standard
	Colon	Normal	Standard
	Lung	Tumor	Standard
	Lung	Normal	Standard
	Prostate	Tumor	Standard
	Prostate	Normal	Standard
	Lymph node	Tumor	Mild
	Lymph node	Normal	Mild
	Tonsil	Normal	Mild
	Pancreas	Normal	Standard
	Cervical	Cancer	Standard
	Cervical	Normal	Standard
	Cervical dysplasia	Abnormal	Standard
	Brain	Tumor	Standard
	Brain	Normal	Standard
	Head	Cancer	Standard
	Neck	Cancer	Standard
	Liver	Cancer	Standard
	Kidney	Normal	Standard
	Skin	Normal	Standard
	Melanoma	Tumor	Standard
	Nevus	Benign	Standard
	Placenta	Normal	Standard
	Skin (TMA*)	Normal	Standard
	Breast (TMA)	Normal	Standard
	Melanoma (TMA)	Normal	Standard
	Nevus (TMA)	Benign	Standard
	Stomach (TMA)	Normal	Standard
	Stomach (TMA)	Tumor	Standard
	HeLa (ACD controls) or Cell pellets, fixed with 10% NBF or 10% Formaldehyde	—	Mild

* Tissue Microarray

B

Appendix B. Manual Target Retrieval

Materials required

Materials provided by the Universal Pretreatment Kit	Other Materials and Equipment
<ul style="list-style-type: none"> • RNAscope® 10X Target Retrieval Reagents 	<ul style="list-style-type: none"> • Prepared slides • Distilled water • Glass beaker (1 or 2 L) • Paper towel or absorbent paper • Hot plate, isotemp brand • Aluminum foil • Thermometer • Forceps, large • Tissue Tek® Slide Rack • Tissue Tek® Staining Dish • ImmEdge™ Hydrophobic Barrier Pen

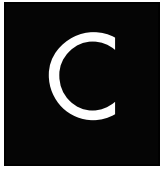
Prepare 1X RNAscope® Target Retrieval Reagents

IMPORTANT! Do not boil the 1X RNAscope® Target Retrieval Reagents more than **15 MIN** before use.

1. Prepare 700 mL of fresh RNAscope® 1X Target Retrieval Reagents by adding 630 mL distilled water to 1 bottle (70 mL) 10X Target Retrieval Reagents in the beaker. Mix well.
2. Place the beaker containing RNAscope® 1X Target Retrieval Reagents on the hot plate. Cover the beaker with foil, and turn the hot plate on high for **10–15 MIN**.
3. Once the 1X RNAscope® Target Retrieval Reagents reach a mild boil (**98–102°C**), turn the hot plate to a lower setting to maintain the correct temperature. Check the temperature with a thermometer.

Apply RNAscope® Target Retrieval Reagents




1. With a pair of forceps *very slowly* submerge the slide rack containing the slides into the mildly boiling RNAscope® 1X Target Retrieval Reagents solution. Cover the beaker with foil, and boil the slides for the amount of time specified by the table in **Appendix A. Tissue Pretreatment Recommendation** on page 28.
2. Use the forceps to *immediately* transfer the hot slide rack from the RNAscope® 1X Target Retrieval Reagents to the staining dish containing distilled water. Do not let the slides cool in the Target Retrieval Reagents solution.
3. Wash slides 3–5 times by moving the Tissue-Tek® Slide Rack up and down in the distilled water.
4. Wash slides in fresh 100% alcohol, and allow the slides to dry completely at 60 °C for **5 MIN**.
5. Draw the hydrophobic barrier, and continue with the BaseScope™ Duplex Assay.



Appendix C. Reagent Volume Guidelines

Determine reagent volume

Before starting your experiment, measure the inner edge of the hydrophobic barrier to determine the recommended number of drops needed per slide (see table below).

Size of Hydrophobic Barrier* (in)	Recommended Number of Drops per Slide	Recommended Volume per Slide (µL)	Relative Template Size
0.75" x 0.75" †	4	120	
0.75" x 1.0"	5	150	
0.75" x 1.25"	6	180	

* Hydrophobic barrier measured at inner edge. References in this user manual are for the 0.75" x 0.75" hydrophobic barrier size.

† Recommended hydrophobic barrier size is 0.75" x 0.75". With this barrier size, each probe is sufficient for staining ~20 sections. Larger tissue sections will result in fewer tests.

D

Appendix D. Safety

Chemical safety



WARNING! GENERAL CHEMICAL HANDLING. To minimize hazards, ensure laboratory personnel read and practice the general safety guidelines for chemical usage, storage, and waste provided below, and consult the relevant SDS for specific precautions and instructions:

- Read and understand the Safety Data Sheets (SDSs) before you store, handle, or work with any chemicals or hazardous materials. To obtain SDSs, see <https://acdbio.com/technical-support/user-manuals>.
- Minimize contact with chemicals. Wear appropriate personal protective equipment when handling chemicals (for example, safety glasses, gloves, or protective clothing).
- Minimize the inhalation of chemicals. Do not leave chemical containers open. Use only with adequate ventilation (for example, fume hood).
- Characterize (by analysis if necessary) the waste generated by the particular applications, reagents, and substrates used in your laboratory.
- Ensure that the waste is stored, transferred, transported, and disposed of according to all local, state/provincial, and/or national regulations.
- **IMPORTANT!** Radioactive or biohazardous materials may require special handling, and disposal limitations may apply.

Biological hazard safety



WARNING! BIOHAZARD. Biological samples such as tissues, body fluids, infectious agents, and blood of humans and other animals have the potential to transmit infectious diseases. Follow all applicable local, state/provincial, and/or national regulations. Wear appropriate protective equipment, which includes but is not limited to: protective eyewear, face shield, clothing/lab coat, and gloves. All work should be conducted in properly equipped facilities using the appropriate safety equipment (for example, physical containment devices). Individuals should be trained according to applicable regulatory and company/institution requirements before working with potentially infectious materials. Read and follow the applicable guidelines and/or regulatory requirements in the following:

In the U.S.:

- U.S. Department of Health and Human Services guidelines published in Biosafety in Microbiological and Biomedical Laboratories found at: <https://www.cdc.gov/biosafety/>
- Occupational Safety and Health Standards, Bloodborne Pathogens (29 CFR § 1910.1030), found at: https://www.osha.gov/pls/oshaweb/owadisp.show_document?p_id=10051&p_table=STANDARDS

- Your company's/institution's Biosafety Program protocols for working with/handling potentially infectious materials.
- Additional information about biohazard guidelines is available at:
<https://www.cdc.gov/biosafety/>

In the EU:

- Check local guidelines and legislation on biohazard and biosafety precaution and refer to the best practices published in the World Health Organization (WHO) Laboratory Biosafety Manual, third edition, found at:
http://www.who.int/csr/resources/publications/biosafety/WHO_CDS_CSR_LYO_2004_11/en/
- Information about the Registration, Evaluation, Authorisation and Restriction of Chemicals (REACH) can be found at: **<https://echa.europa.eu/regulations/reach>**

Documentation and Support

Obtaining SDSs

Safety Data Sheets (SDSs) are available at: <https://acdbio.com/technical-support/user-manuals>. For the SDSs of chemicals not distributed by Advanced Cell Diagnostics, contact the chemical manufacturer.

Obtaining support

For the latest services and support information, go to: <https://acdbio.com/technical-support/support-overview>.

At the website, you can:

- Access telephone and fax numbers to contact Technical Support and Sales facilities.
- Search through frequently asked questions (FAQs).
- Submit a question directly to Technical Support.
- Search for user documents, SDSs, application notes, citations, training videos, and other product support documents.
- Find out information about customer training events.

Contact information

Advanced Cell Diagnostics, Inc.
7707 Gateway Blvd Suite 200
Newark, CA 94545
Toll Free: 1-877-576-3636
Direct: 1-510-576-8800
Fax: 1-510-576-8801
Information: info.acd@bio-techne.com
Orders: orders.acd@bio-techne.com
Support Email: support.acd@bio-techne.com

Limited product warranty

Advanced Cell Diagnostics, Inc. and/or its affiliate(s) warrant their products as set forth in the ACD General Terms and Conditions of Sale found on the ACD website. If you have any questions, please contact Advanced Cell Diagnostics at <https://acdbio.com/about/contact>.

Headquarters

7707 Gateway Blvd Suite 200, Newark, CA 94545 Phone 1-510-576-8800 Toll Free 1-877-576-3636

For support, email support.acd@bio-technne.com

www.acdbio.com